

# M-Sensor

Motion Sensor / Compatible with GRMS Solution

M-Sensor is a highly integrated device which includes pyro-electric infrared detector designed for all variants of motion control. Dual pyro-electric ceramic element with Fet in source follower connection provides high responsivity with excellent common mode performance and low noise at steady state and temperature changes.

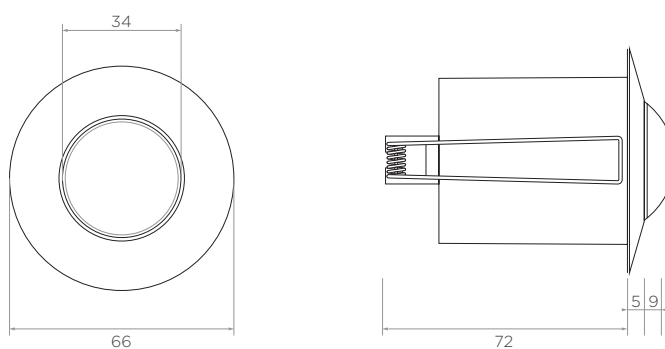


## Product Specification

Product Name	M-Sensor	M-Sensor-KNX	M-Sensor-DALI
Power Supply	VDC 24V ±20% 0.012A	VDC 30V ±20% 0.018A	VDC 16V ±40% 0.008A
Physical Interface	Dry contact	KNX TP	DALI
Communication Protocol	-	KNX	DALI
Max Cable Length	-	Depending on KNX topology	300 m
Sensor Responsivity	4000 V/W		
Mounting	2 metal springs on 52 mm punch hole		
Warm Up Time	5 seconds		
Storage Temperature	-10...+60 °C		
Operating Humidity Range	30 - 85% RH non-condensing		
Dimensions (Ø x D)	Ø66 x 86 mm		
Weight	150 g		
Case Material	ABS		
Standard Color	Ivory White		
Protection Level	IP32		

## Product Dimensions

Top and Side View (mm)



# M-Sensor

Motion Sensor, KNX, DALI  
Compatible with GRMS Solution



## Product Detection Performance

