

HTP-DOT-TT

Glass Touch Panel with Thermostat and Amazon Echo Dot

HTP-DOT-TT is a full color RGB LED glass touch thermostat panel with easy to use scenario buttons and Amazon Echo Dot featuring Alexa. Supports KNX or RS485 Modbus communication. Icons are laser engraved and customization is free of charge.



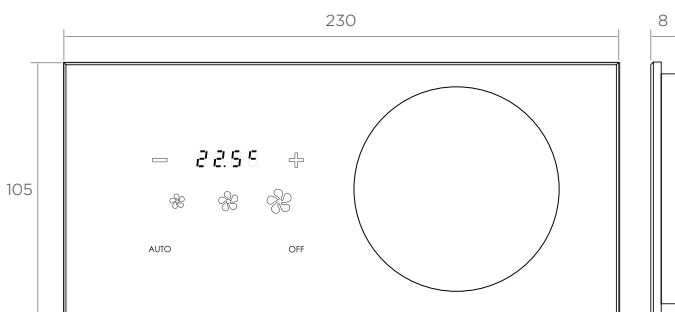
Product Specification

Product Name	HTP-DOT-TT
Dimensions (H x W x D)	230 x 105 x 8 mm
Frame Options	Glass surface with customizable background color
Supply Voltage	30V for HTP-DOT-TT-KNX 24V for HTP-DOT-TT
Supply Frequency	DC voltage
Current Consumption	Touch Panel: 10 mA (eco mode), 25mA (bright mode) for HTP-DOT-TT-KNX 80 mA for HTP-DOT-TT
Power Supply Options	Touch Panel: via bus cable Echo Dot: 110/220V 50/60Hz
Physical Interfaces	KNX for HTP-DOT-TT-KNX RS485 for HTP-DOT-TT USB and 3.5 mm audio for ECHO DOT
Connectivity	KNX for HTP-DOT-TT-KNX Modbus for HTP-DOT-TT Bluetooth, WiFi 802.11a, b, g, n (2.4 / 5 GHz)
Screen Type	7 segment, 4 digits display

Temperature Sensor	NTC, 0.5 °C Accuracy
Max Quantity of buttons	1 to 10 button models available
Status Indicators / Backlight	Individually programmable color and brightness
Mounting	Snap-in magnetic mounting
Warm Up Time	20 seconds
Operating Temperature Range	0 °C...+45 °C
Storage & Transportation Temperature	-10 °C...+70 °C
Maximum Air Humidity	90% (non condensing)
Protection Level	IP20

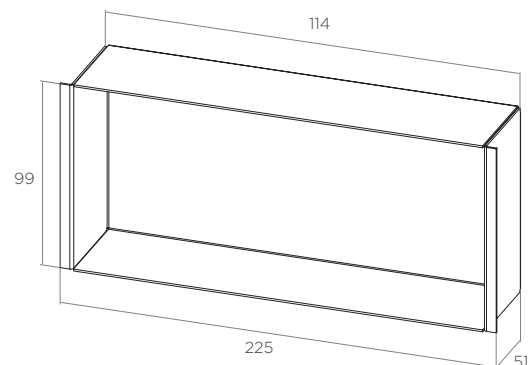
Product Dimensions

Top and Side View (mm)



Back Box Option

(mm)



HTP-DOT-TT

Glass Touch Panel with Thermostat and Amazon Echo Dot



WHAT IS

ECHO DOT?



FAR-FIELD

VOICE RECOGNITION



DO MORE WITH THE

ALEXA APP

