

# HDP102V-RFID

Door Module with DND/MUR indicators, Door-bell button and RFID Reader

HDP102V-RFID is a vertical glass touch door panel with RFID card reader, door number, door bell button, DND/MUR and presence indicators. Programmable backlight intensity, color and artwork customization, KNX or RS485 Modbus communication are fundamentals of the product.



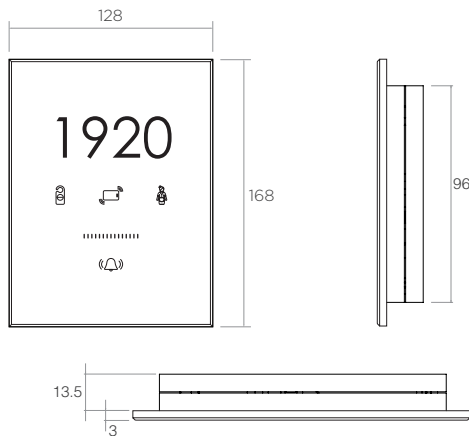
## Product Specification

Product Name	HDP102V-RFID
Dimensions (H x W x D)	128 x 168 x 3 mm
Weight	900 g
Frame Options	Glass surface with customizable background color
Supply Voltage	30V for HDP102V-RFID-KNX 24V for HDP102V-RFID
Supply Frequency	DC voltage
Current Consumption	10 mA (eco mode), 25mA (bright mode) for HDP102V-RFID-KNX 80 mA for HDP102V-RFID
Power Supply Options	via bus cable
Physical Interfaces	KNX for HDP102V-RFID-KNX RS485 for HDP102V-RFID

Communication Protocols	KNX for HDP102V-RFID-KNX Modbus for HDP102V-RFID
RF Frequency	13.56 MHz
Door Number / Status Indicators / Backlight	Optional / DND, MUR and Occupancy / Individually programmable backlight color and brightness
Mounting	Snap-in magnetic mounting
Warm Up Time	20 seconds
Operating Temperature Range	0 °C...+45 °C
Storage & Transportation Temperature	-10 °C...+70 °C
Maximum Air Humidity	90%
Protection Level	IP30

## Product Dimensions

Top and Side View (mm)



## Back Box Option

Unit of dimensions (mm)

